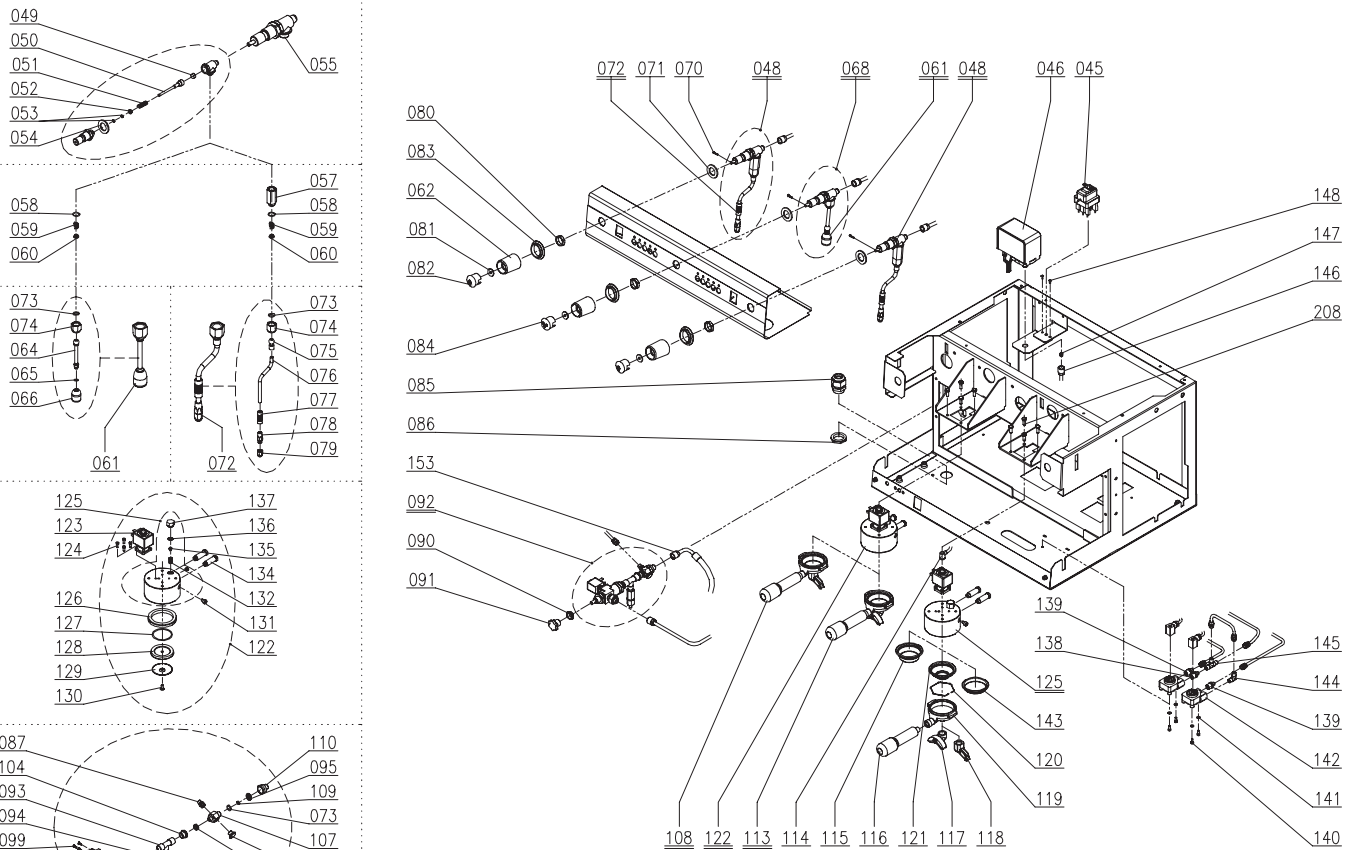
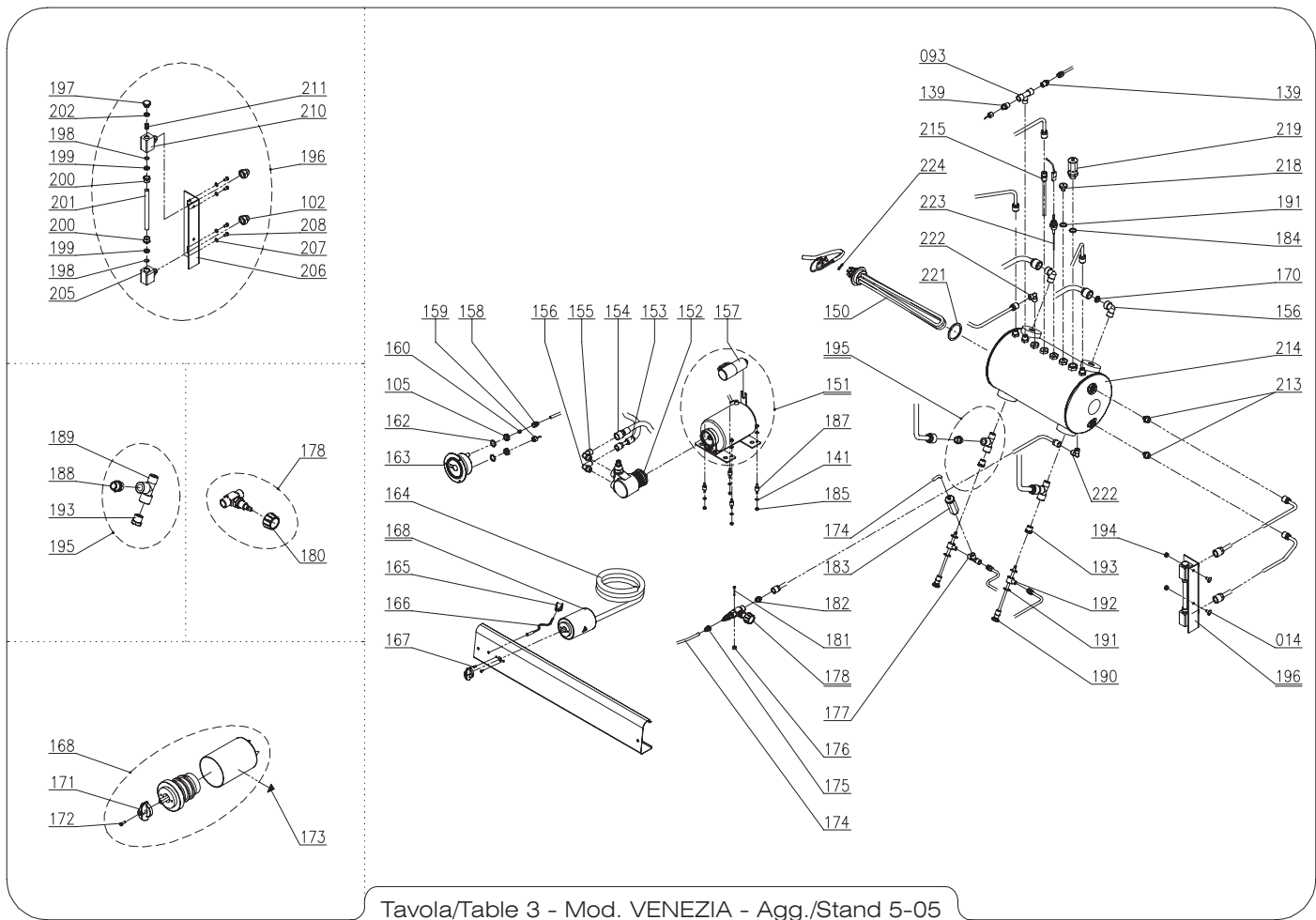


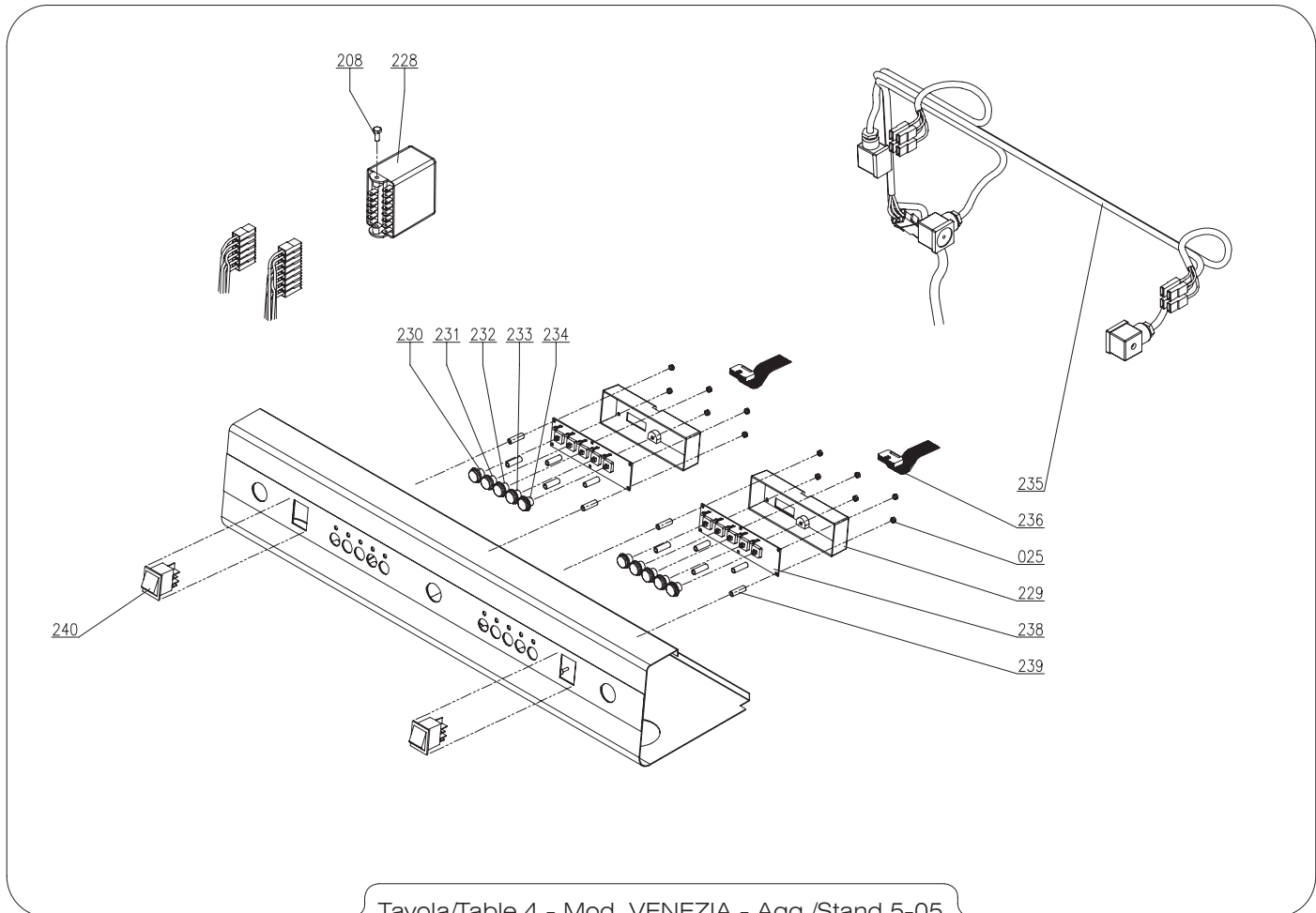
Tavola/Table 1 - Mod. VENEZIA - Agg./Stand 5-05



Tavola/Table 2 - Mod. VENEZIA - Agg./Stand 5-05



Tavola/Table 3 - Mod. VENEZIA - Agg./Stand 5-05



Tavola/Table 4 - Mod. VENEZIA - Agg./Stand 5-05

Parts List and exploded view mod. VENEZIA 1-2-3 groups

POS.	CODE	DESCRIPTION
1	10805022	SCREW TBL- M4X20 A2
2	10955013	HOT SURFACE LABEL
3	10955025	EARTH TRIANG. LABEL
4	10805031	HEXAGON-HEAD SCREW M6X16 ZN
5	10805559	WASHER D6.4X18 ZN
6	10809012	FLANGED NUT 6MA ZN
7	10803536	SERRATED WASHER D6.2 ZN
8A	10032720	L.H. SIDE PANEL VE-VELX SILVER
8B	10032740	L.H. SIDE PANEL VE-VELX BLUE
8C	10032760A	L.H. SIDE PANEL VE-VELX BLACK
8D	10032780	L.H. SIDE PANEL VE-VELX RED
9	10805027A	SCREW TBL+ M4X10 A2
10	10025550	SELECTOR SWITCH COVER ZN
11A	10022324	UPPER FRONT PANEL VE 1GR SAP
11B	10022325	UPPER FRONT PANEL VE 2GR SAP
11C	10022327	UPPER FRONT PANEL VE 3GR SED
11D	10022329	UPPER FRONT PANEL VE 3GR SAP
11E	10022535	UPPER FRONT PANEL VE 1GR SED
11F	10022536	UPPER FRONT PANEL VE 2GR SED
12A	50301996	UPPER POLYC. STRIP VE-VELX-FI 1 SAP
12B	50301998	UPPER POLYC. STRIP VE-VELX 1 SED
12C	50302000	UPPER POLYC. STRIP VE-FI 2 SAP
12D	50302003	UPPER POLYC. STRIP VE-VELX-FI 3 SAP
12E	50302004A	UPPER POLYC. STRIP VE 2 SED
12F	50302005	UPPER POLYC. STRIP VE 3 SED
13A	10022540B	FRONT PROTECTIVE PLATE VE 2GR
13B	10022541A	FRONT PROTECTIVE PLATE VE 3GR
13C	10022544	FRONT PROTECTIVE PLATE VE 1GR
14	10805061	TRUSS HEAD SCREW +- M6X12 NI
15A	10022711	DRAIN GRID VE 1GR FILINOX
15B	10022712	DRAIN GRID VE 2GR FILINOX
15C	10022713	DRAIN GRID VE 3GR FILINOX
16A	10022410A	DRAIN PLATE VE-VELX 2GR
16B	10022707A	DRAIN PLATE VE-VELX 3GR
16C	10022709	DRAIN PLATE FI-VE-VELX 1GR
17A	10022537	LOWER FRONT PANEL VE-VELX 1GR
17B	10022538	LOWER FRONT PANEL VE-VELX 2GR
17C	10022539	LOWER FRONT PANEL VE-VELX 3GR
18	10809010	TRUSS HEAD SCREW +- M6X12 ZN BLACK
19A	50302006	LOWER POLYC. STRIP VE 2GR .
19B	50302007	LOWER POLYC. STRIP VE 3GR
19C	50302040	LOWER POLYC. STRIP VE 1GR
20A	10955018	SANREMO LABEL 70x11,3
20B	10955020	SANREMO LABEL 101x16,5
21	10805950	ALUMINIUM RIVET D3X6MM
22A	10952051A	AL. RATING PLATE 230V
22B	10952052A	AL. RATING PLATE 400V
22C	10952053	AL. RATING PLATE 120V
23	10805054	CHEESEHEAD SCREW+ M3X10 A2
24	10352062	LEVEL INDICATOR GLASS COVER VE
25	10806672	NUT 3MA A2
26	10802500	MEDIUM-HEIGHT NUT M8 ZN
27	10803538	SERRATED WASHER D8.2 ZN
28A	10018086A	FRAME VE 1GR BLACK
28B	10018087A	FRAME VE 2GR BLACK
28C	10018088A	FRAME VE 3GR BLACK
29	10352050	FOOT 40X40 10MA
30A	10022429	DRIP TRAY MI-VE 3GR
30B	10022459	DRIP TRAY CA 2GR,MI VE 1/2GR
31	10852460	HELICALLY WOUND DRAIN PIPE L.2 M
32	10806099	STAINLESS STEEL CLAMP D18X28
33A	50302033	SIDE PANE LENTICULAR LABEL SR VE BLACK
33B	50302035	SIDE PANE LENTICULAR LABEL SR VE RED

34A	10032710	R.H. SIDE PANEL VE-VELX BLACK
34B	10032730	R.H. SIDE PANEL VE-VELX RED
34C	10032750A	R.H. SIDE PANEL VE-VELX BLACK
34D	10032770	R.H. SIDE PANEL VE-VELX RED
35	10022542	SIDE PANEL FIXING PLATE VE-FI
36	10652066	SPRING FOR PANELS MI-VE-FI D5X12.5X16
37	10805182	SCREW TSP+ M4X20 ZN
38	10012012A	PANEL FIXING PLATE VE-FI
39	10652068	SPRING FOR PANEL VE-FI D7XD12.5XH16
40	10805051	HEXAGON-HEAD SCREW M6X20 ZN
41A	10032064	REAR PANEL VE-VELX 1GR
41B	10032066A	REAR PANEL VE-VELX 2GR
41C	10032068A	REAR PANEL VE-VELX 3GR
43A	10022400A	UPPER GRILLE FI-VE-VELX 2GR
43B	10022403A	UPPER GRILLE FI-VE-VELX 1GR
43C	10022485B	UPPER GRILLE FI-VE-VELX 3GR
44A	10352074	TRANSP. CUP-GUARD VE 1GR
44B	10352075	BLACK CUP-GUARD VE 1GR
44C	10352076	TRANSPCUP-GUARD VE 2GR
44D	10352077	BLACK CUP-GUARD VE 2GR
44E	10352078	TRANSP. CUP-GUARD VE 3GR
44F	10352079	BLACK CUP-GUARD VE 3GR
45	10111015	169° THERMOSTAT WITH MANUAL RESET
46	10602010	PRESSURE SWITCH
48	10402050	COMPLETE STEAM TAP
49	10505558	SILICONE TAP-ROD SEAL
50	10402061	CENTRAL TAP ROD
51	10402014	TAP ROD SPRING
52	10402015	TAP ROD BUSHING
53	10505121	O RING 5.7X1.9 NBR70 TAP ROD
54	10505561	TAP COPPER BUSHING
55	10402120A	TAP BODY
57	10852925	STEAM NOZZLE EXTENSION
58	10402056	O RING 2062 VITON
59	10402043	TAP ARTICULATED JOINT SPRING
60	10402054	TAP ARTICULATED JOINT CAP
61	10402145	COMPLETE WATER NOZZLE
62	10402074	TAP KNOB
63A	10303080	2-WAY SOLENOID VALVE BAS 25X25 230V
63B	10303094	2-WAY SOLENOID VALVE BAS 25X25 120V
64	10022140	WATER DISPENSING TUBE
65	10502041	O RING 2025 EPDM
66	10402140	WATER DISPENSING HEAD
68	10402010	COMPLETE WATER TAP
70	10806370A	TAP SPLIT PIN
71	10803547	WASHER D20 ZN
72	10402270	COMPLETE STEAM NOZZLE
73	10402063	ART. JOINT O RING 115 EPDM
74	10402022B	TAP ARTICULATED JOINT NUT
75	10858589	STEAM NOZZLE ARTICULATED JOINT
76	10422138	STEAM NOZZLE
77	10753050	ANTI-SCALD RUBBER PROTECTION
78	10402195	UPPER NOZZLE JET
79A	10402196	LOWER NOZZLE JET 4 HOLES
79B	10402198	LOWER NOZZLE JET 2 HOLES
80	10402028	CHROMED HALF NUT 1/2"
81	10402040	TAP BRASS WASHER
82	10351104	STEAM KNOB CAP
83	10402070	KNOB RING NUT
84	10351105	WATER KNOB CAP
85	10102250	CABLE GLAND PG 21
86	10102249	CHECK NUT PG.21
87	10852080A	1050 6-1/8" M STRAIGHT CONNECTOR
90	10805585	NUT NI E22 Th4x3/8"xH6xd18.5
91	10405555	HAND WHEEL D.30 M6 WATER FILLING

ENGLISH

92A	10053160	FILLING BLOCK ASSEMBLY 120V
92B	10053162	FILLING BLOCK ASSEMBLY 230V
93	10855031	2003 TEE F/F/F 1/4"
94	10853081	HEX NUT 1/4" 17X4mm
95	10052139	BLOCK ST. ST. MESH FILTER
99	10805251	CHEESEHEAD SCREW+ M3X8 ZN
101	10056000	FILLING BLOCK BODY
102	10852770	2520 1/4"M-3/8"F CONNECTION
103	10652020	CHECK VALVE 1/4"-1/8"
105	10853085	HEX NUT 1/8"
106	10852022	2611 1/8"M PLUG
107	10852682	CONNECTOR NI 22X38 1/8"MFM
108	10402121A	1-CUP FILTER HOLDER ASSEMBLY
109	10502028	O RING 3037 VITON
110	10852672	STRAIGHT REDUCER NI CH22X23 3/8F-1/4M
113	10402122A	2-CUP FILTER HOLDER ASSEMBLY
114	10255028	SWIVEL ELBOW F1/8-PG6
115	10052110	2-CUP FILTER
116	10052040	FILTER-HOLDER HANDLE
117A	10052088	SMALL 2-WAY SPOUT, OPEN
117B	10052090	2-WAY SPOUT
118A	10052078	SMALL 1-WAY CURVED SPOUT, OPEN
118B	10052080	1-WAY CURVED SPOUT, OPEN
119	10052030	FILTER HOLDER BODY
120	10052050	FILTER RETAINING SPRING
121	10052100	1-CUP FILTER
122	10052122	RING GROUP HEAD ASSEMBLY VE 230V
123A	10302066	3-WAY SOLENOID VALVE 32X32 230V
123B	10305555	3-WAY SOLENOID VALVE 32X32 120V
124	10805071	SCREW (HEX CH. SOCK.) M4X10 A2
125	10052012	RING DISPENSING GROUP HEAD
126	10502038	UNDER-CUP SEAL 8mm
127	10502070	O RING 3187 EPDM FOR MAZZOCCO
128	10052230	RING GROUP HEAD MAZZOCCO
129	10052170	PROFESSIONAL FILTER HEAD D.53
130	10801032	SCREW (HEX FLAT. SOCK.) M5X12 A2
131	10805078	SCREW (HEX CH. SOCK.) M6X8 A2
132	10052136	GROUP HEAD FILTER
133	10002012	COPPER PIPE D. 4X0.5
134	10852036	EXTENSION L.95 NI VE
135	10052135	GROUP HEAD JET HOLE D.0.8
136	10052143	PTFE GASKET 19.8x16.7x2
137	10052142	JET CLOSING CAP
138	10852520	2530 STRAIGHT REDUCER 1/4M-1/8F
139	10852580A	1050 6-1/4"M STRAIGHT COUPLER
140	10805074	HEXAGON-HEAD SCREW M4X8 ZN
141	10803519	SERRATED WASHER D4.2 ZN
142	10112130	VOLUMETRIC METER
143	10052220	SOLID FILTER
144	10852250A	1020 6-1/4"M BEND
145	10852028A	1010 6-6-1/8"M TEE
146	10802511	BRASS NUT 1/4" FOR PRESSURE SWITCH
147	10853054	BI-CONE D.6mm PRESSURE SWITCH
148	10805872	CHEESEHEAD SCREW+ M4X6 ZN
150A	10455034	RESISTOR 1950W 120V 1GR
150B	10455036	RESISTOR 2700W 120V 2GR
150C	10455050	RESISTOR 1950W 230V 1GR
150D	10455052	RESISTOR 2700W 230V 2GR
150E	10455054	RESISTOR 5100W 230V 3GR
150F	10455055	RESISTOR 5100W 120V 3GR
150G	10455080	RESISTOR 4500W 230V 2GR
151A	10252079A	EL. MOTOR 150W 120V
151B	10252080A	EL. MOTOR 150W 230V
151C	10252086	EL. MOTOR 165W 230V
152A	10252070	ROTARY PUMP 150L/H W/CLAMP

152B	10252072	ROTARY PUMP 200L/H W/CLAMP
153	10852470	STAY PIPE 1/4 TD8-TD8 L.450
154	10852450	STAY PIPE 3/8 FD-FD L=2000
155	10852280A	1020 8-3/8"M ELBOW
156	10852530A	1020 10-3/8"M ELBOW
157A	10252038	CAPACITOR 6MF 450VL MOTOR 150W
157B	10252040	CAPACITOR 10 MF 450VL MOTOR 165W
158	10855557	1303 NUT 4-1/8"F
159	10002021	PRESS.GAUGE COMPL. CAPILLARY TUBE
160	10855556	1310 NOSE FITTING D4
162	10852200	PLAIN WASHER D10.5X20X2 ZN
163	10552013A	PRESSURE GAUGE W/DOUBLE SCALE D.60
164A	10102190	POWER CABLE 3X2.5 MT3 N5 SINGLE-PHASE
164B	10102191	POWER CABLE 5X2.5 MT3 N4 THREE-PHASE
164C	10102193	POWER CABLE 3X4 MT3 N7 SINGLE-PHASE
164D	10102196	POWER CABLE 3x12AWG SJOOW 3MT
164E	10102197	POWER CABLE 3x14AWG SJOOW
165	10105190	2-WAY BLOCK F.
166A	10553021	ORANGE INDICATOR LIGHT D6 230V
166B	10553024	ORANGE INDICATOR LIGHT D6 120V
167	10809019	BURNISHED SCREW (HEX CONV.SO.) M3X8
168A	10122016	SINGLE-PHASE JUMPER SWITCH
168B	10122018	THREE-PHASE JUMPER SWITCH
170A	10052156	BOILER DELIVERY JET HOLE D2.5
170B	10052157	BOILER DELIVERY JET HOLE D3
170C	10052158	BOILER DELIVERY JET HOLE D3.5
170D	10052159	BOILER DELIVERY JET WITHOUT HOLE
171	10122012	SWITCH KNOB
172	10122011	SWITCH KNOB SCREW
173	10955015	VOLTAGE SYMBOL TRIANGLE LABEL
174	10905010	TRANSPARENT SILICONE TUBE 7x4
175	10853058	1510 6-1/8"M OUTLET CONNECTOR
177	10853215	TEE M/F/F 1/8"
178	10402059	DRAIN TAP W/KNOB
180	10402060	BOILER DRAIN TAP KNOB
181	10803010	CHEESEHEAD SCREW- M4X40 ZN
182	10852050A	1050 8-1/8"M STRAIGHT COUPLING
183	10655555	EXPANSION VALVE
184	10806324	COPPER WASHER D17X23X1.5 3/8"
185	10805512	MEDIUM-HEIGHT NUT 4MA ZN
187	10255022	ANTI-VIBRATION MOUNTING
188	10852290A	1050 10-3/8"M STRAIGHT COUPLER
189	10855030	2070 TEE M/F/F 3/8"
190	10042017	UNIVERSAL INJECTOR
191	10852180	COPPER WASHER 13.5X19X1.5 1/4
192	10852240A	1170 6-1/4"M. JOINT CONNECTION
193	10852092	2530 STRAIGHT REDUCER 3/8M-1/4F
194	10805511	MEDIUM-HEIGHT NUT 6MA ZN
195	10402124	EXCHANGER FITTINGS ASSEMBLY
196	10402110	LEVEL INDICATOR GLASS ASSEMBLY
197	10402163A	LEVEL IND. GLASS PLUG 1/4"
198	10705015	O RING 3043 VITON
199	10806255A	O RING GLAND D.14.5X3.5 LEVEL IND. GLASS
200	10805565A	LEV. IND. GLASS O RING GLAND NUT 1/4" NI
201	10402100	LEVEL IND. GLASS D.11XH140 MAX-MIN
202	10505550A	PTFE SEAL 13.2X17.5X1.8
205	10105231A	LOWER LEVEL IND. GLASS BLOCK
206	10012032	WHITE LEVEL IND. GLASS SUPPORT
207	10803520	SERRATED WASHER D5.3 ZN
208	10805075	HEXAGON-HEAD SCREW M5X8 ZN
210	10105230A	UPPER LEVEL IND. GLASS BLOCK
211	10042020A	LEVEL IND. GLASS SPACER D.10XD14
213	10855032A	1050 8-1/4"M STRAIGHT COUPLER
214A	10002635	COPPER BOILER 1GR D.180
214B	10002636	COPPER BOILER 2GR D.180

ENGLISH

214C	10002637	COPPER BOILER 3GR D.180
215	10853053	STRAIGHT SUCTION PIPE 1/4"M
218	10652040	BOILER RELIEF VALVE
219	10652010	SAFETY VALVE
221	10502020	PTFE WASHER D56X41X2mm
222	10852060A	1020 8-1/4"M ELBOW
223	10112064	LEVEL SENSOR 120mm
224	10106060	BRASS RESISTOR JUMPER
228A	10112010	LEVEL CONTROL 230V SAP
228B	10112011	LEVEL CONTROL 120V SAP
228C	10112074A	CONTROL UNIT ET-30CT SED 120V DC
228D	10112086A	CONTROL UNIT ET-405CT SED 230V DC
228E	10112091B	CONTROL UNIT ET-30CT SED 230V DC
229	30011057	PUSHBUTTON PAD COVER VE
230A	10029616	RED BUTTON S/ SHORT COFFEE MI
230B	10029626	BLACK BUTTON S/ SHORT COFFEE MI
230C	10029635	BLUE BUTTON S/ SHORT COFFEE M
231A	10029619	RED BUTTON S/ LONG COFFEE MI
231B	10029630	BLACK BUTTON S/ LONG COFFEE MI
231C	10029636	BLUE BUTTON S/ LONG COFFEE MI
232A	10029620	RED BUTTON D/ SHORT COFFEE MI
232B	10029631	BLACK BUTTON D/ SHORT COFFEE MI
232C	10029637	BLUE BUTTON D/ SHORT COFFEE MI
233A	10029621	RED BUTTON D/ LONG COFFEE MI
POS.	CODE	DESCRIPTION
233B	10029632	BLACK BUTTON D/ LONG COFFEE MI
233C	10029639	BLUE BUTTON D/ LONG COFFEE MI
234A	10029622	RED BUTTON MANUAL DISPENSE MI
234B	10029638	BLUE BUTTON MANUAL DISPENSE MI
234C	10029641	BLACK BUTTON MANUAL DISPENSE MI
235A	10102291	WIRING VE 1GR SAP
235B	10102301	WIRING VE 1GR SED
235C	10102302	SINGLE WIRING VE 2/SAP-SED
235D	10102303	SINGLE WIRING VE 3/SAP-SED
236A	10112067	PIN TO PIN CABLE 1100mm
236B	10112069	PIN TO PIN CABLE 450mm
236C	10112078	PIN TO PIN CABLE 600mm
236D	10112079	PIN TO PIN CABLE 800mm
238	10112057A	PUSHBUTTON STRIP SED VE GREEN LEDS
239	10401034	PUSHBUTTON STRIP SPACER D.6X3.5XH13.5
240	10555060A	COFFEE DISPENSE SWITCH W/W.OUT CUP