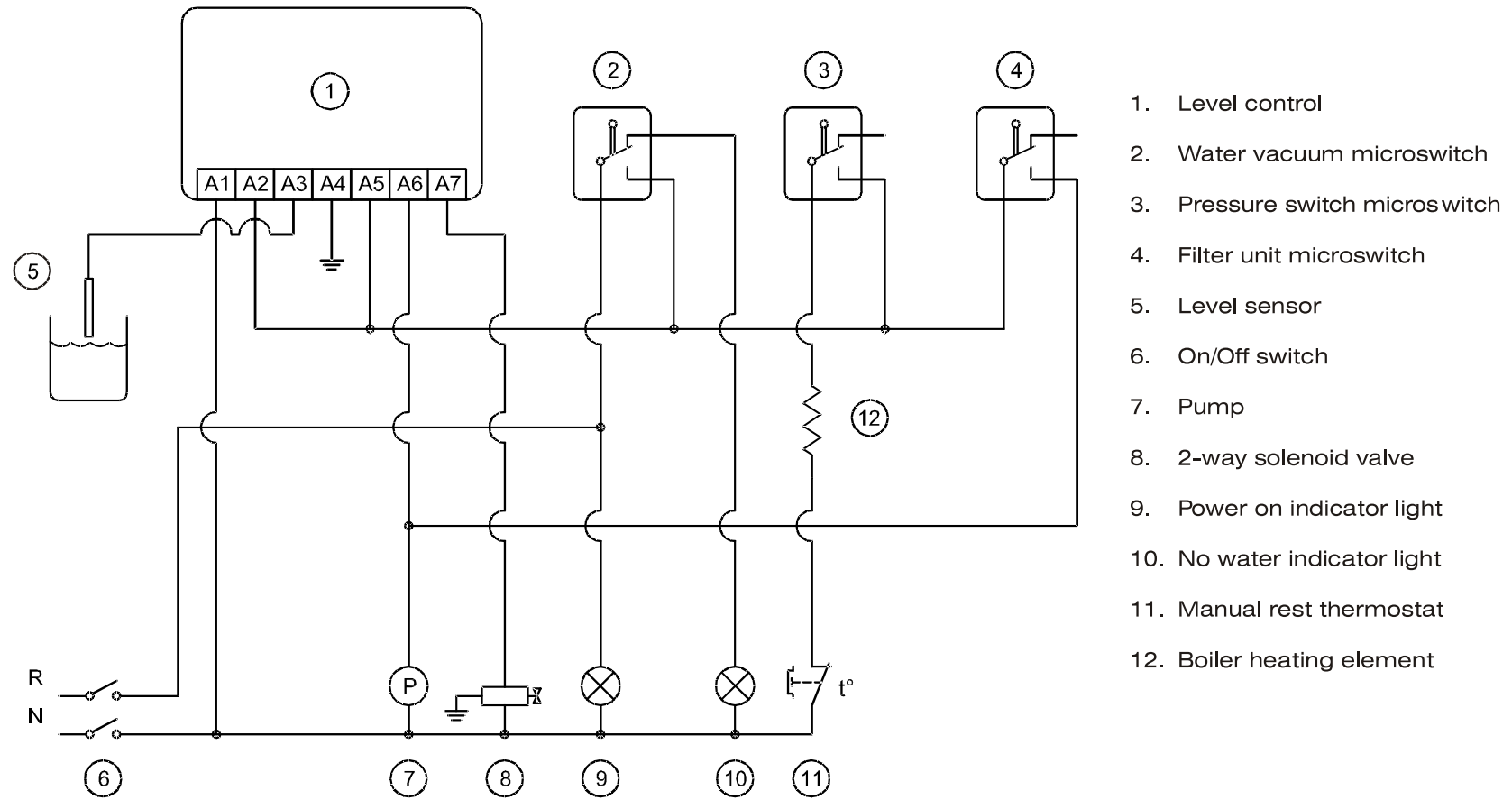


Exploded view Mod. TREVISO - Update.09/09



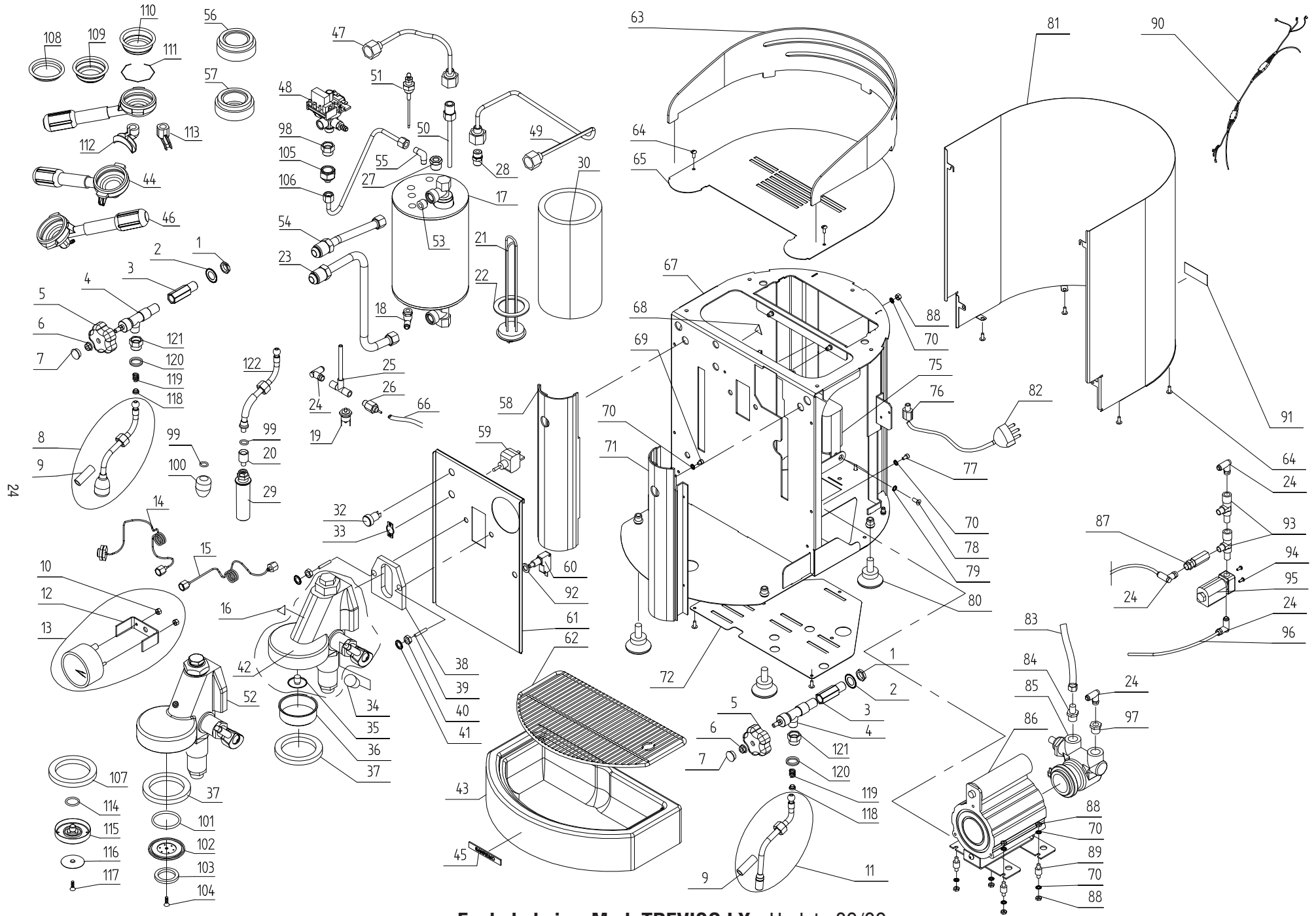
TREVISO WIRING DIAGRAM

1. Level control
2. Water vacuum microswitch
3. Pressure switch microswitch
4. Filter unit microswitch
5. Level sensor
6. On/Off switch
7. Pump
8. 2-way solenoid valve
9. Power on indicator light
10. No water indicator light
11. Manual rest thermostat
12. Boiler heating element

LEGEND EXPLODED DIAGRAM TREVISO UPDATE 09-09

POS.	CODE	DESCRIPTION
1	10853081	HEXAGON NUT 1/4"
2	10040048	SERRATED WASHER D.14.5X24X1 ZN
3	10852040A	TAP EXTENSION
4	10402113	CHROMED TAP
5	10402085	TAP KNOB
6	10809012	NUT 6MA ZN
7	10402098	WATER TAP KNOB CAP PRINTED
8	10402346	COMPLETE WATER LANCE WITH JOINT
9	10753050	ANTI-SCALD RUBBER PROTECTION
10	10002342	BOILER PRESSURE GAUGE TUBE
11	10805512	MEDIUM-HT. NUT 4MA ZN
12	10805562	PLAIN WASHER D.4x16x1.5 ZN
13	10012136	PRESSURE GAUGE BRACKET
14	10552016	BOILER PRESSURE GAUGE
15	10002632A	BOILER D.100XH181 WELDED CONNECTORS
16	10853224A	SWIVEL QUICK-FIT ELBOW 4 X 1/4" M
17	10115030	THERMOSTAT 125° WITH MAN. RESET
18	10852250A	UNION L 6-1/4"M
19A	10452021A	HEATING ELEMENT 1300W 120V
19B	10452020A	HEATING ELEMENT 1300W 230V
20	10502018	WASHER D.56X41.5X2mm PTFE
21	10002346A	BOTTOM HEAT EXCHANGER TUBE
22	10853210	RAP. COUPLING AL 4X1/8" VITON M ROTATING
23	10042019	INJECTOR D.6
24	10655557	EXPANSION VALVE
25A	10553030	GREEN INDICATOR LIGHT 120V
25B	10553034	GREEN INDICATOR LIGHT 230V
26	10553064	ON-OFF PLATE
27	10955013	HOT SURF. SYMBOL TRIANG. LABEL
28	10852092	STRAIGHT REDUCER 3/8" M-1/4"F
29	10855032B	STRAIGHT COUPLER 8-1/4"M
30	10852540	TAP CONNECTOR 1/4"M
31	10852180	COPPER WASHER 1/4"
32	10402185	GASKET PTFE JOINT LANCE TV
33	10052165	FILTER HEAD LEVER GRIP
34	10052141	FILTER HEAD DIFFUSER
35	10052120	FILTER HEAD MESH SHOWERHEAD
36	10502110	UNDER-CUP GASKET H 8.2mm
37A	10553031	RED INDICATOR LIGHT 120V
37B	10553036	RED INDICATOR LIGHT 230V
38	10502130	LEVER ASSEMBLY SEAL
39	10052134	ASSEMBLY STUD BOLTS
40	10802500	MEDIUM-HT. NUT 8MA ZN
41	10803538	SERRATED WASHER D.8.2 ZN
42	10052005	COMPLETE LEVER ASSEMBLY
43	10024098	DRIP TRAY
44	10402118	INCLINED 2-CUP FILTER-HOLDER ASSEMBLY
45	10955018	SAN REMO LOGO LABEL
46	10402116	INCLINED 1-CUP FILTER-HOLDER ASSEMBLY
47	10002364	HOT WATER RUN-OFF TUBE PRESSURE SWITCH UPDATE
48A	10602050A	PRESSURE SWITCH 120V
48B	10602060B	PRESSURE SWITCH 230V
49	10002366	STEAM DELIVERY TUBE PRESSURE SWITCH UPDATE
50	10853059	SUCTION PIPE
51	10112059	LEVEL SENSOR 105mm
52	10855036	STRAIGHT UNION 1/4M 3/8F PRESSURE SWITCH
53	10052153	JET HOLE D. 3 mm
54	10002344A	UPPER EXCHANGER PIPE
55	10852620	REDUCER UNION 2520 1/8M 3/8F
56	10002352	PRESSURE SWITCH TUBE TV VAR.B
57	10852129	UNION CAPPUCC. MAKER LANCE TV-TVLX
58	10112052	LEVER CONTROL MICROSWITCH W/NUT
59	10024170	PROTECTIVE FRONT PLATE
60	10024180A	STAINLESS STEEL DRAIN PLATE
61	10352045	SMOKE-GREY CUP GUARD
62	10805027	SCREW TRUSS-HEAD- M4x10 A2
63	10024165	TOP COVER
64	10024168	WATER TANK COVER
65	10024064C	BLACK ENAMELLED FRAME
66	10955025A	EARTH SYMBOL TRIANG. LABEL
67	10553060	TWO-POLE LEVER SWITCH
68A	10022356A	POLISHED ANOD. AL. LEFT EXTRUDED PIECE
68B	10022366	BLACK ANOD. AL. LEFT EXTRUDED PIECE
69	10805060	SCREW (HEX CH. SOCK.) M4X6 A2 UNI 5931
70	10803519	SERRATED WASHER D.4.2 ZN DIN 6798
71A	10022354A	POLISHED ANOD. AL. RIGHT EXTRUDED PIECE
71B	10022364	BLACK ANOD. AL. RIGHT EXTRUDED PIECE
72	10024192A	BLACK ENAMELLED BOTTOM PLATE
73	10402348	COMPLETE STEAM LANCE WITH JOINT
74A	10255011	VIBRATION PUMP 120V 60Hz
74B	10255038	VIBRATION PUMP 9BAR 230V 50Hz
75	10011524	PUMP BRACKET
76	10255030	L-SHAPED TUBE
77	10955030	LABEL IN 4 LANG. „CUT-OFF POWER SUPPLY“
78	10112202	COVER MAGNET
79	10024196A	BLACK ENAM. WATER VAC. MICRO. BRACKET
80A	10105010	GLAND FOR CABLE H05VV-F
80B	10105012	GLAND FOR CABLE 3X16AWG
81A	10112016A	LEVEL CONTROL 120V 100K
81B	10112018A	LEVEL CONTROL 230V 100K
82	10805071	SCREW TCEI M4X10 A2 UNI 5931
83	10801032	SCREW (HEX FLAT. SOCK.) M5X12 A2 UNI 5933
84	10803520	SERRATED WASHER D5.3 ZN
85	10352056	FOOT
86	10024160A	HOUSING
87A	10102224	POWER CABLE SJT 3AWG16X2MT USA
87B	10105130	CABLE AL.H05VV-F 3X1X2MT SCHUKO 3FF 6.3
88	10909010	TEFLON TUBE D4X2.5
89	10809019	SCREW (HEX CONV.SO.) M3X8 BURNISHED
90A	10303018	2-WAY SOLENOID VALVE 1/8" 120V
90B	10303010A	2-WAY SOLENOID VALVE 1/8" 230V
91	10853223	CONICAL TEE 1/8" M/M/F
92	10652027	SINGLE-ACTING VALVE
93	10805022	SCREW TRUSS HEAD- M4X20 A2 POLIERS
94	10809002	PLAIN WASHER D6.4X24X2 ZN
95A	10102516B	CABLE P.V.120V F.T.6.3F
95B	10102506B	CABLE P.V.230V F.T.6.3F
96	10955029	LABEL IN 4 LANG. "EARTH CONNECTION"
97	10905010	NEUTRAL SILICONE TUBE D.7X4 MM

98	10355178A	TANK IMPURITY FILTER
99	10355105	CAP D.45 TANK
100	10353500	TANK HANDLE
101	10353243B	TANK L 3.4 H=280mm
102	10652072	WATER VACUUM MICRO SPRING.
103	10809040	NUT M11X1 FOR MICRO
104	10355027	WATER VACUUM MICRO. SPACER
105	10112056	WATER VACUUM MICROSWITCH
106	10402302	CAPPUCCINO MAKER COMPLETE GOCCIA
107	10052006	LEVER ASSY. MODIF. CAPSULE
108	10502070A	OR 3187 FOR MAZZOCCO D47.2X2.62
109	10052252A	MAZZOCCO ASSY. CAPSULE W/GASKET
110	10502050	CAPSULE SEAL GASKET
111	10805026	SCREW TSPEI M4X10 A2
112	10402322	ADAPTER FILTER HOLDER CAPSULE 2 DELIV.
113	10402321A	ADAPTER FILTER HOLDER CAPSULE 1 DELIV.
114	10052220	BLIND FILTER
115	10052110	2-CUP FILTER
116	10052100	1-CUP FILTER
117	10052050	FILTER SECURING SPRING
118	10052085	2-WAY SPOUT
119	10052080	SINGLE SPOUT
120	10502041	O RING 2025 EPDM D6.07X1.78 WATER DIFFUSER
121	10505018	O RING 6 EPDM D.7.2X1.9 WATER SHOWERHEAD
122	10402140	WATER DISPENSING SHOWERHEAD
123	10355030	DISPENSING LEVER MICROSWITCH SPACER
124	10853204	QUICK-FIT STRAIGHT COUPLER 4X1/8" M
125	10502032	GASKET UNDER COVER 8.5 TV POD
126	10502072	OR 4075 EPDM POD MOD.
127	10052236	MAZZOCCO POD ASSY.
128	10055060	BOILER OUTLET D.34 POD ASSY.
129	10805132	SCREW TSPEI M4X8 A2
130	10025500	MELAMINE PANEL TV
131	10402183	SPRING GUIDE FOR LANCE JOINT TV
132	10402182	SPRING FOR LANCE JOINT TV
133	10402180	REDUCER UNION FOR LANCE JOINT TV
134	10402350	CAPPUCCINO MAKER LANCE WITH JOINT TV



Exploded view Mod. TREVISO LX - Update 09/09